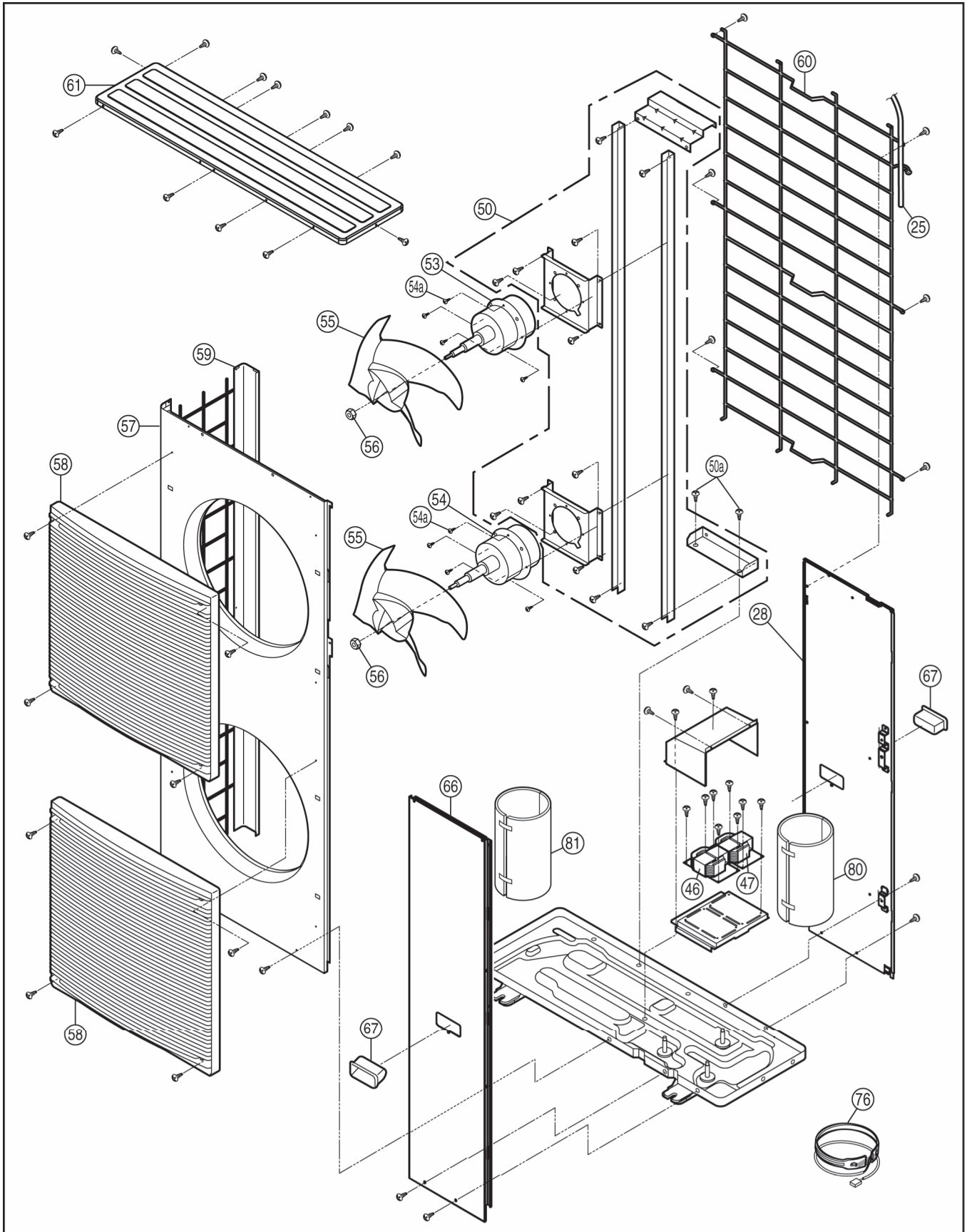
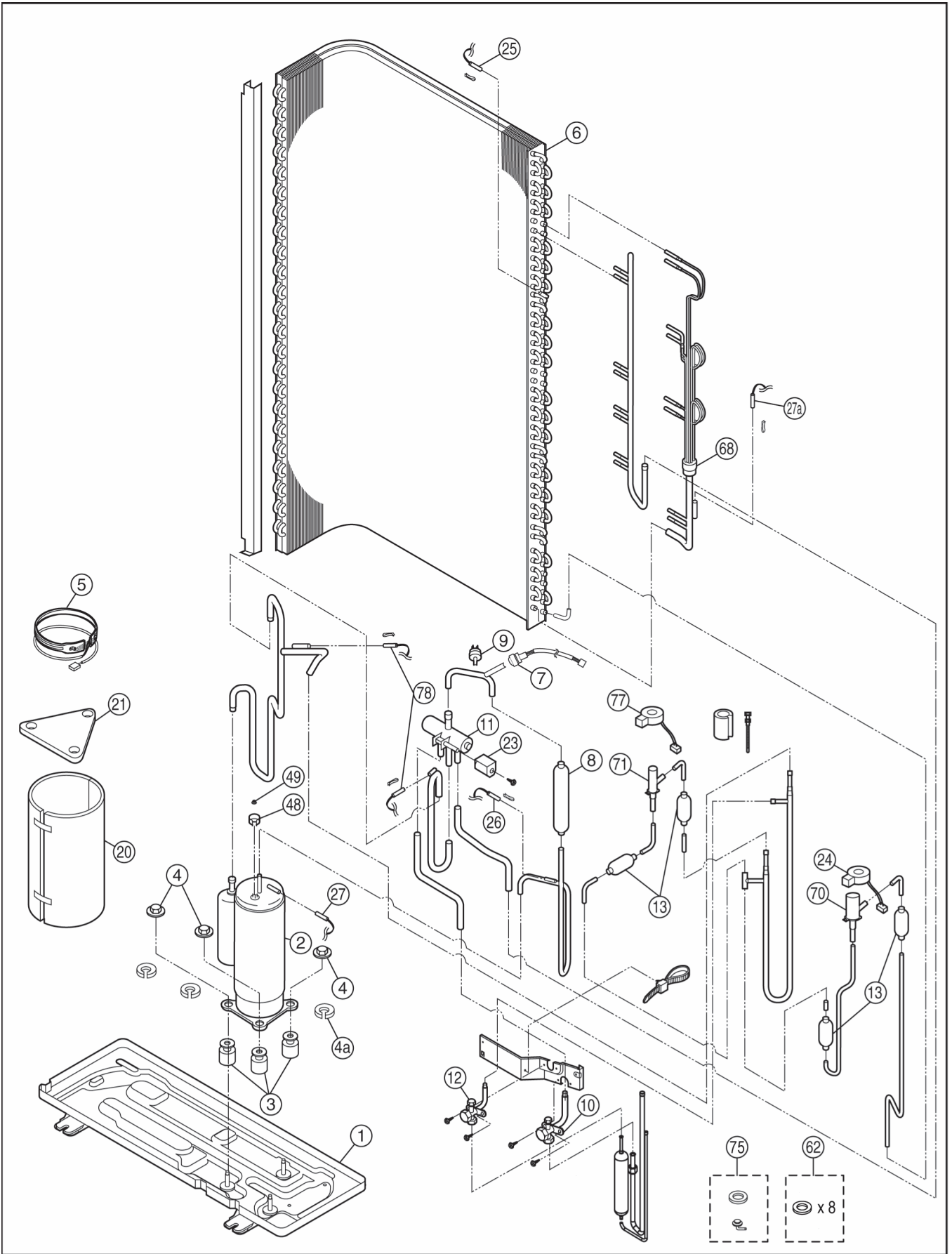
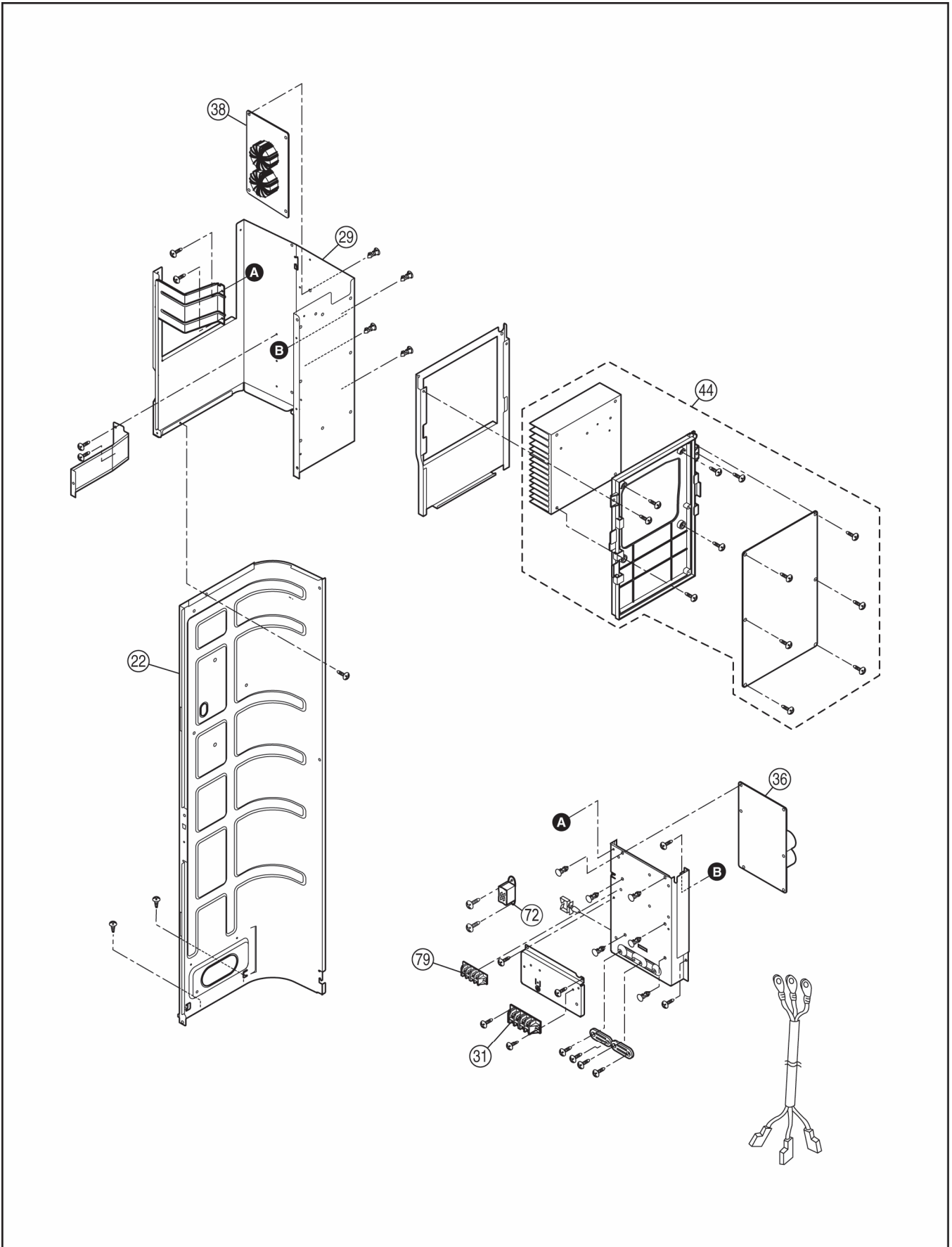


19. Exploded View and Replacement Parts List

19.1 (Refrigerant System)







Note:

- The above exploded view is for the purpose of parts disassembly and replacement.
- The non-numbered parts are not kept as standard service parts.

< Model: Refrigerant System >

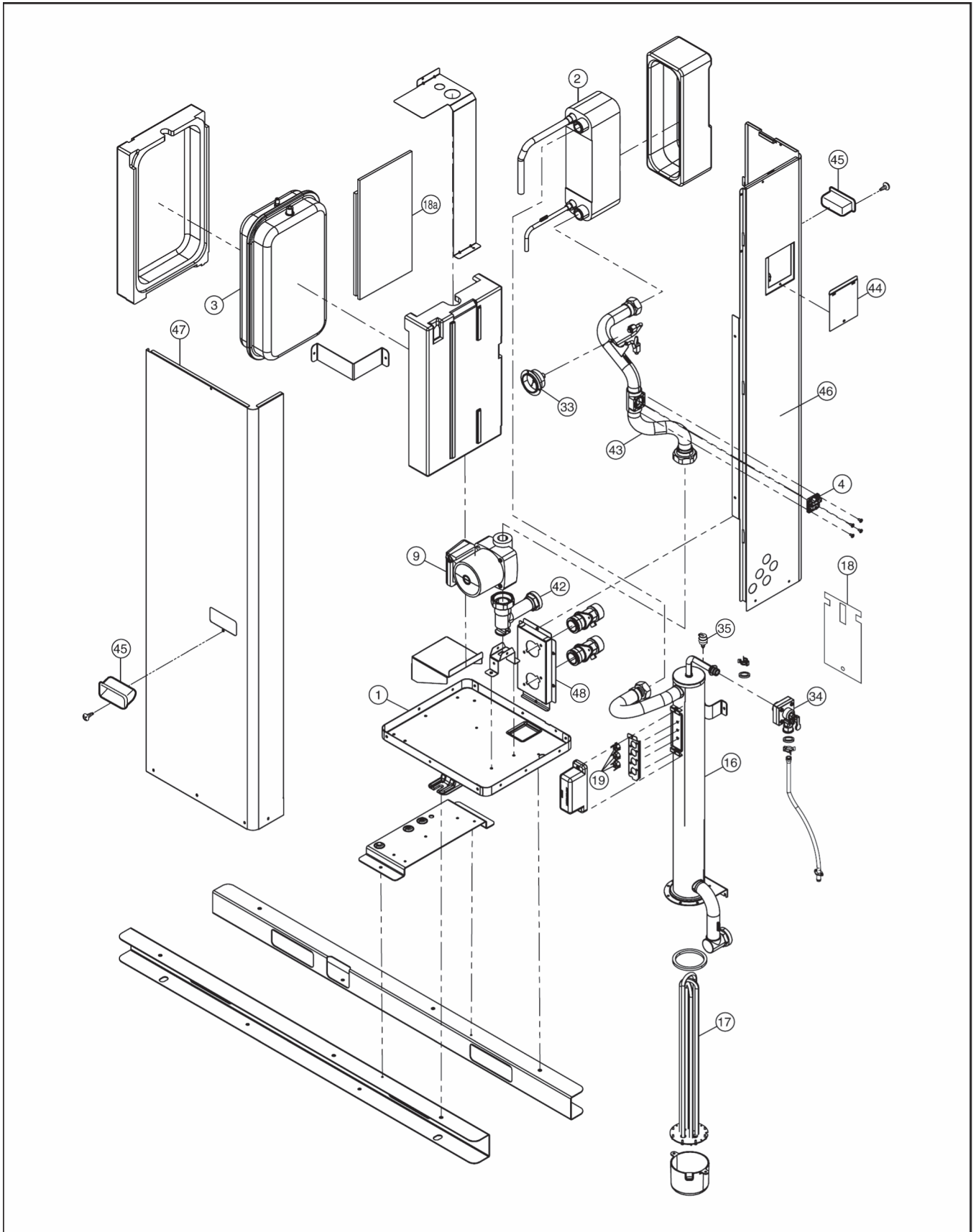
REF. NO.	DESCRIPTION & NAME	QTY.	WH-MXC09D3E5 (WH-MXC09D3E5-1)	WH-MXC12D6E5 (WH-MXC12D6E5-1)	REMARKS
1	BASE PAN ASS'Y	1	CWD52K1276	←	
2	COMPRESSOR	1	5JD420XAA22	←	O
3	BUSHING - COMPRESSOR MOUNT	3	CWH50055	←	
4	NUT-COMPRESSOR MOUNT	3	CWH561049	←	
4a	GASKET FOR TERMINAL COVER	3	CWB811017	←	
5	CRANKCASE HEATER	1	CWA341053	←	
6	CONDENSER COMPLETE	1	CWB32C3035	←	
7	HIGH PRESSURE SENSOR	1	CWA50C2570	←	
8	DISCHARGE MUFFLER	1	CWB121014	←	
9	PRESSURE SWITCH	1	CWA101013	←	
10	3-WAYS VALVE (GAS)	1	CWB011700	←	O
11	4-WAYS VALVE	1	CWB001046	←	O
12	3-WAYS VALVE	1	CWB011699	←	
13	STRAINER	4	CWB111032	←	
20	SOUND PROOF MATERIAL	1	CWG302265	←	
21	SOUND PROOF MATERIAL	1	CWG302266	←	
22	SOUND PROOF BOARD	1	CWH15K1019	←	
23	V-COIL COMPLETE – 4-WAYS VALVE	1	CWA43C2169J	←	O
24	V-COIL COMPLETE – EXP. VALVE	1	CWA43C2385	←	O
25	SENSOR-COMP. TEMP/COIL	1	CWA50C2730	←	O
26	SENSOR-COMP.DISCHARGE	1	CWA50C2576	←	O
27	SENSOR-COMPLETE	1	CWA50C2629	←	O
27a	SENSOR-COMP.	1	CWA50C2577	←	O
28	CABINET REAR PLATE-COMPLETE	1	CWE02K1019A	←	
29	CONTROL BOARD CASING	1	CWH10K1049	←	
31	TERMINAL BOARD ASS'Y	1	CWA28K1213	←	O
36	ELECTRONIC CONTROLLER (CAPACITOR)	1	CWA746082	←	O
38	ELECTRONIC CONTROLLER (NOISE FILTER)	1	CWA745446	←	O
44	ELECTRONIC CONTROLLER (MAIN)	1	CWA73C5731R	CWA73C5732R	O
46	REACTOR	1	G0C592J00006	←	O
47	REACTOR	1	G0C592J00007	←	O
48	TERMINAL COVER	1	CWH171039A	←	
49	NUT-TERMINAL COVER	1	CWH7080300J	←	
50	FAN MOTOR BRACKET	1	CWD54K1024	←	
50a	SCREW-FAN MOTOR BRACKET	2	CWH551040J	←	
53	FAN MOTOR	1	EHDS80AAC	←	O
54	FAN MOTOR	1	EHDS80BAC	←	O
54a	SCREW-FAN MOTOR MOUNT	8	CWH551323	←	
55	PROPELLER FAN ASSY	2	CWH00K1006	←	
56	NUT	2	CWH561092	←	
57	CABINET FRONT PLATE	1	CWE061098A	←	
58	DISCHARGE GRILLE	2	CWE201073	←	
59	CABINET SIDE PLATE ASSY	1	CWE04K1023A	←	
60	WIRE NET	1	CWD041103A	←	
61	CABINET TOP PLATE CO.	1	CWE03C1105	←	
62	ACCESSORY - COMPLETE	1	CWH82C1839	←	
66	CABINET FRONT PLATE	1	CWE061274A	←	
67	HANDLE	2	CWE161014	←	
68	TUBE ASSY (CAP. TUBE)	1	CWT07K1541	←	
70	EXPANSION VALVE	1	CWB051028	←	O
71	EXPANSION VALVE	1	CWB051029	←	
72	ELECTRO MAGNETIC SWITCH	1	K6C1AYY00003	←	O
75	ACCESSORY CO. (DRAIN ELBOW)	1	CWG87C2030	←	

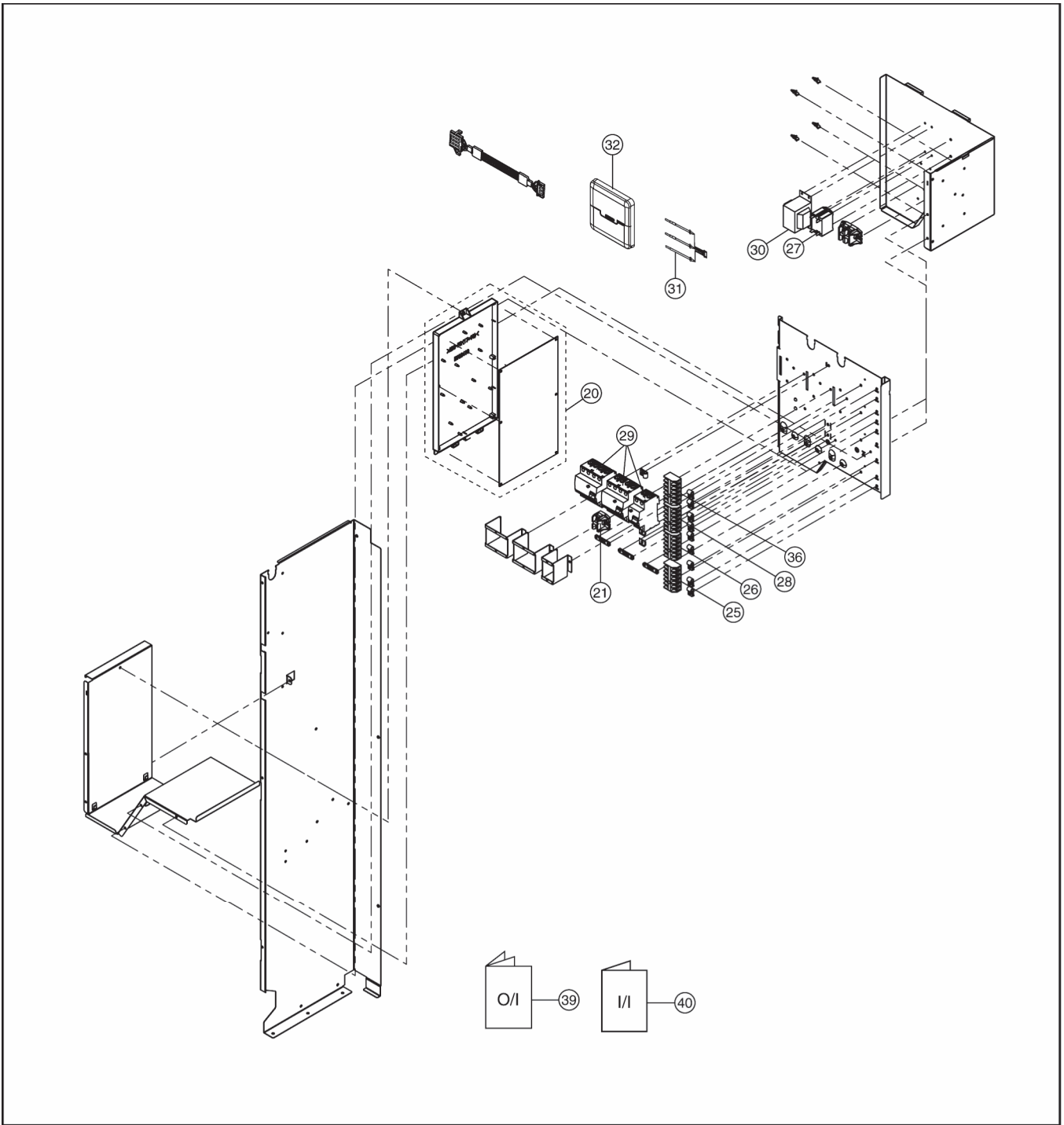
REF. NO.	DESCRIPTION & NAME	QTY.	WH-MXC09D3E5 (WH-MXC09D3E5-1)	WH-MXC12D6E5 (WH-MXC12D6E5-1)	REMARKS
76	CRANKCASE HEATER (BASE PAN)	1	CWA341071	←	
77	V-COIL COMPLETE	1	CWA43C2335	←	O
78	SENSOR - COMP.	1	CWA50C2807	←	O
79	TERMINAL BOARD ASS'Y	1	CWA28K1238	←	O
80	SOUND PROOF MATERIAL	1	CWG302598	←	
81	SOUND PROOF MATERIAL	1	CWG302599	←	

Note:

- All parts are supplied from PAPAMY, Malaysia (Vendor Code: 00029488).
- "O" marked parts are recommended to be kept in stock.

19.2 (Water System)





Note:

- The above exploded view is for the purpose of parts disassembly and replacement.
- The non-numbered parts are not kept as standard service parts.

< Model: Water System >

REF. NO.	DESCRIPTION & NAME	QTY.	WH-MXC09D3E5 (WH-MXC09D3E5-1)	WH-MXC12D6E5 (WH-MXC12D6E5-1)	REMARK
1	BASE PAN ASS'Y	1	CWD52K1242	←	
2	HOT WATER COIL-COMPLETE	1	CWB90C1046	←	
3	RECEIVER	1	CWB141039	←	
4	FLOAT (FLOW SWITCH)	1	CWB601008	←	
9	PUMP	1	CWB532096	←	O
16	BOTTLE COMP.	1	CWH90C0034	CWH90C0033	
17	HEATER ASS'Y	1	CWA34K1026	CWA34K1025	
18	SOUND PROOF MATERIAL	1	CWG302593	CWG302592	
18a	SOUND PROOF MATERIAL	1	CWG302594	←	
19	THERMOSTAT	2	CWA151065	←	O
20	ELECTRONIC CONTROLLER (MAIN)	1	CWA73C6753R	CWA73C6754R	O
21	TERMINAL BOARD ASS'Y	1	CWA28K1200	←	O
25	TERMINAL BOARD ASS'Y	1	CWA28K1211	←	O
26	TERMINAL BOARD ASS'Y	1	CWA28K1221	←	O
27	MAGNET RELAYS	1	K6C1AYY00004	←	O
28	TERMINAL BOARD ASS'Y	1	CWA28K1222	←	O
29	CIRCUIT BREAKER	2	CWA181005	←	O
30	TRANSFORMER-COMPLETE	1	CWA40C1096	←	O
31	SENSOR-COMPLETE	1	CWA50C2749	←	O
32	REMOTE CONTROL COMPLETE	1	CWA75C4020	←	O
33	PRESSURE GAUGE	1	CWB070001	←	O
34	PRESSURE RELIEF VALVE	1	CWB621092	←	
35	PRESSURE RELIEF VALVE	1	CWB621094	←	
36	TERMINAL BOARD ASS'Y	1	CWA28K1232	←	
39	OPERATING INSTRUCTION	1	CWF568656	←	
40	INSTALLATION INSTRUCTION	1	CWF615444	←	
42	TUBE CONNECTOR-COMPLETE	1	CWT29C1050	←	
43	TUBE CONNECTOR-COMPLETE	1	CWT29C1064	←	
44	CONTROL BOARD COVER	1	CWH131420A	←	
45	HANDLE	2	CWE161014	←	
46	CABINET SIDE PLATE ASS'Y	1	CWE04K1060A	←	
47	CABINET FRONT PLATE	1	CWE061275A	←	
48	HOLDER COUPLING	1	CWH351181A	←	

Note:

- All parts are supplied from PAPAMY, Malaysia (Vendor Code: 00029488).
- "O" marked parts are recommended to be kept in stock.